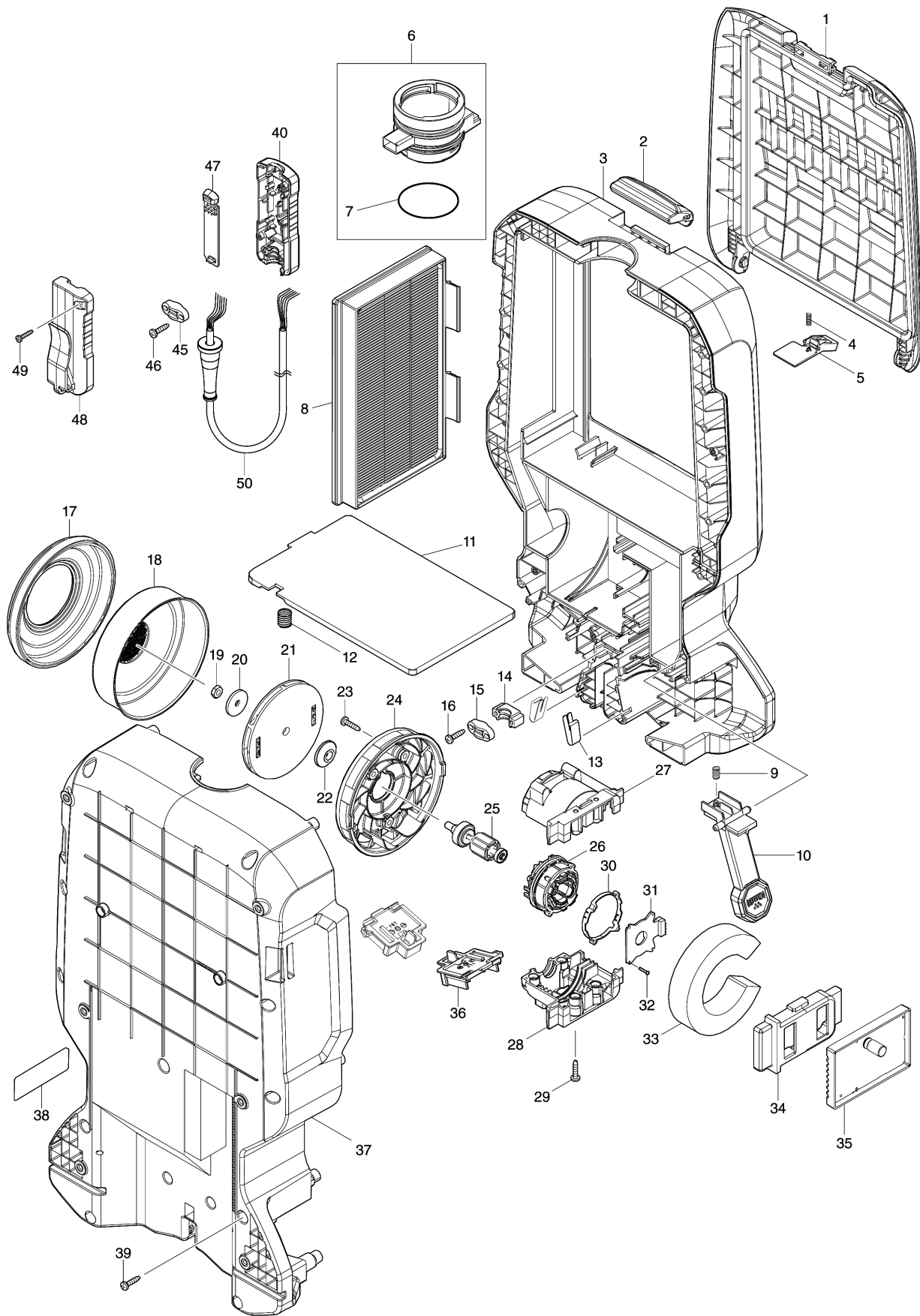
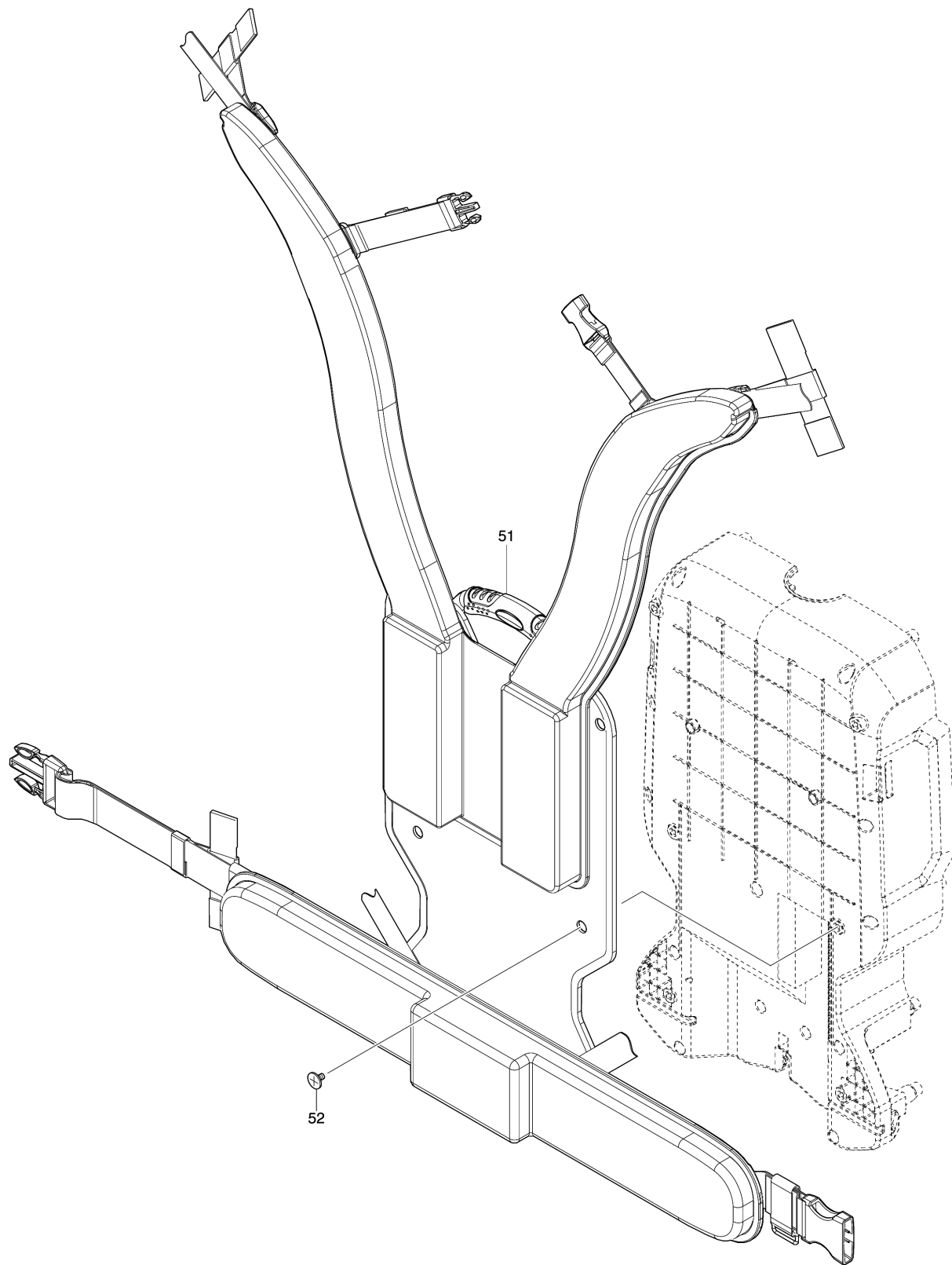


Model No.DVC660 DC BACKPACK VACUUM CLEANER



Model No.DVC660 DC BACKPACK VACUUM CLEANER



Model No.DVC660 DC BACKPACK VACUUM CLEANER

Position	Référence pièce	Description	Echange	QTE	New/Old	Option 1	Option 2	COMMENTAIRE
001	140P97-4	DUST BOX COVER COMPLETE		1				
C10	422536-3	SEAL A		1				
002	127480-6	LATCH ASSEMBLY		1				
003	140P91-6	UPPER HOUSING COMPLETE		1				
C10	422534-7	BAND DAMPER D		1				
C20	422550-9	BAND DAMPER A		1				
004	232389-0	COMPRESSION SPRING 5		1				
005	459912-8	STOPPER PLATE		1				
006	135771-1	ARRIVEE CPL		1			P3	
D10		INC. 7						
007	213655-4	O'RING 56		1		1	P6	
008	191D12-9	MAIN FILTER H SET		1				
009	232588-4	COMPRESSION SPRING 6		1				
010	140P99-0	LEVER 100 COMPLETE		1				
011	459913-6	PLATE		1				
012	234141-2	COMPRESSION SPRING 12		2				
013	232267-4	RESSORT		2			P1	
014	687051-6	BARRETTE FIXATION		1		0	P3	
015	687123-7	BARETTE DE FIXATION		1		0	P1	
016	266326-2	VIS 4x18		2		65	P2	
017	422376-9	SUPPORT RING		1				
018	161804-6	COUVERCLE DE VENTILATEUR		1				
019	252268-6	HEX. NUT M6		1				
020	322407-3	RONDELLE		1				
021	241851-4	VENTILATEUR 94		1				
022	313062-2	BRIDE		1				
023	266326-2	VIS 4x18		3		65	P2	
024	456736-3	VENTILATEUR		1			P7	
025	619517-8	ROTOR		1				
026	629381-9	STATOR		1				
027	183D13-1	CARCASSE MOTEUR		1			P9	
D10		INC. 28						
028	183D13-1	CARCASSE MOTEUR		1			P9	
D10		INC. 27						
029	266326-2	VIS 4x18		4		65	P2	
030	687464-1	SUPPORT		1		0	P1	
031	620526-2	CONTROLEUR B		1			P17	
032	266786-8	VIS TETE RONDE M2X10		4		0	P1	
033	422370-1	BAND DAMPER C		1				
034	424837-5	SUPPORT A		1			P2	
035	620C52-9	CONTROLLER		1				
036	644809-6	TERMINAL		2				
037	140P93-2	LOWER HOUSING COMPLETE		1				

Please order the parts with part number.

Print Date 17/12/2019

Model No.DVC660 DC BACKPACK VACUUM CLEANER

Position	Référence pièce	Description	Echange	QTE	New/Old	Option 1	Option 2	COMMENTAIRE
C10	422535-5	BAND DAMPER E		1				
C20	422551-7	BAND DAMPER B		1				
038	856K43-4	DVC660 NAME PLATE		1				
039	266326-2	VIS 4x18		13		65	P2	
040	183K74-3	SWITCH CASE SET		1				
C10	818F86-4	SWITCH LABEL		1				
D10		INC. 48						
045	687123-7	BARETTE DE FIXATION		1		0	P1	
046	266326-2	VIS 4x18		2		65	P2	
047	620525-4	SOUS CONTROLEUR		1			P69	
048	183K74-3	SWITCH CASE SET		1				
C10	818F86-4	SWITCH LABEL		1				
D10		INC. 40						
049	266130-9	VIS PT 3X16		2		0	P1	
050	699136-6	POWER SUPPLY CORD UNIT		1				
051	162700-1	HARNESS		1				
052	265008-3	VIS EPAULEE M5		6		1	P4	
A01	199453-9	HOSE COMPLETE 32-1.0 SET		1				
A02	166116-2	SANGLE SCRATCH		1			A67	
A03	191C26-2	FILTER BAG SET		1				
A04	197901-2	BUSE ASPIRATION		1			A11	
A05	127082-8	NOZZLE ASSEMBLY		1				
A06	140G19-0	TELESCOPIC PIPE COMPLETE		1				
A07	140G26-3	BENT PIPE COMPLETE		1				

Please order the parts with part number.

Print Date 17/12/2019